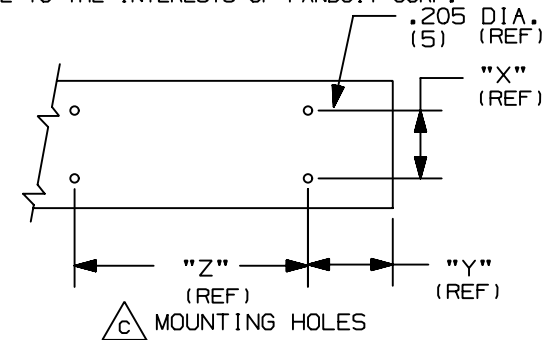


THIS COPY IS PROVIDED ON A RESTRICTED BASIS AND IS NOT TO BE USED IN ANY WAY DETRIMENTAL TO THE INTERESTS OF PANDUIT CORP.

PANDUIT P/N SEE NOTE #1	LENGTH/TOLERANCE	WEIGHT	MOUNTING HOLE DIM'S		
			"X"	"Y"	"Z"
T702B**8	96.00 IN ±.13 IN (2438 mm ±3.3 mm)	8.0 LB/96 IN. (3636 g/2438 mm)	3.17 (80.5)	4.00 (102)	8.00 (33.4)
T702B**10	120.00 IN ±.13 IN (3048 mm ±3.3 mm)	10.0 LB/120 IN. (4550 g/3048 mm)	3.17 (80.5)	4.00 (102)	8.00 (33.4)
T702B**2 (SEE NOTE 4)	(2000 mm ±3.3 mm)	6.5 LB/78.74 IN. (2970 g/2000 mm)	3.17 (80.5)	3.37 (86)	8.00 (33.4)
T702B**3 (SEE NOTE 4)	(3000 mm ±3.3 mm)	9.8 LB/118.11 IN. (4455 g/3000 mm)	3.17 (80.5)	3.06 (78)	8.00 (33.4)

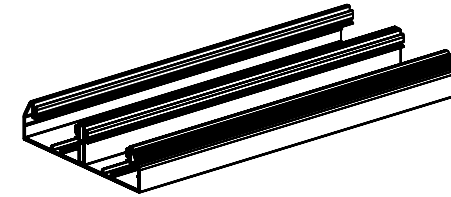
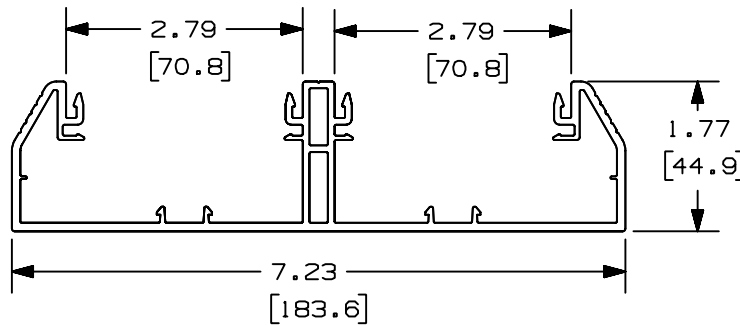


A
A

NOTES:

1. SEE CURRENT CATALOG FOR ADDITIONAL PART SUFFIXES TO INDICATE COLOR AND OR PACKAGE QUANTITY.
2. THE T702B IS USED WITH THE T70C RACEWAY COVER, 2 FT(610) OF COVER REQUIRED FOR EVERY 1 FT(305) OF BASE
3. DIMENSIONS IN PARENTHESES ARE IN METRIC.
4. ONLY AVAILABLE OUTSIDE NORTH AMERICA.

B



CAD FILENAME/LAYERS D34866DJ_DC_T702BASE_02

PANDUIT CORP. TINLEY PARK, ILLINOIS
 PAN-WAY TWIN-70 RACEWAY SYSTEM
 (T702B**8, T702B**10, T702B**2, T702B**3)
 CUSTOMER DRAWING

UNLESS OTHERWISE SPECIFIED,
 DIMENSIONAL TOLERANCES ARE:
 (.X) ± (.XXX) ±
 (.XX) ±.03(.8) ANGLES ±

UNLESS OTHERWISE SPECIFIED,
 ALL DIMENSIONS ARE GIVEN
 IN INCHES, THIRD ANGLE PROJECTION.

REV	DATE	BY	CHK	DESCRIPTION	ECN	CHK	CUST	SUP
2	03-12-99	DW	HIW	C. ADDED MOUNTING HOLE DIMENSIONS AND CHART.	34866-63	HIW	HIW	
1	10-20-98	DW	HIW	B. ADDED NOTE 4. A. ADDED 2M AND 3M LENGTHS AND WEIGHTS.	34866-63	HIW	HIW	
R	02-03-98	DW	HIW	RELEASED TO PRODUCTION.	34866-63	HIW	HIW	

DRAWN BY
DW
 DATE
2-3-98
 CHECKED BY
HIW

MAT'L:
PVC

SCALE
NONE
 DRAWING NO.
34866-63
 DWG
A
 SIZE